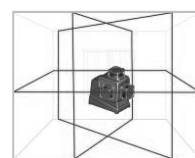
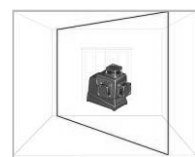
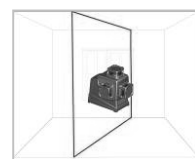
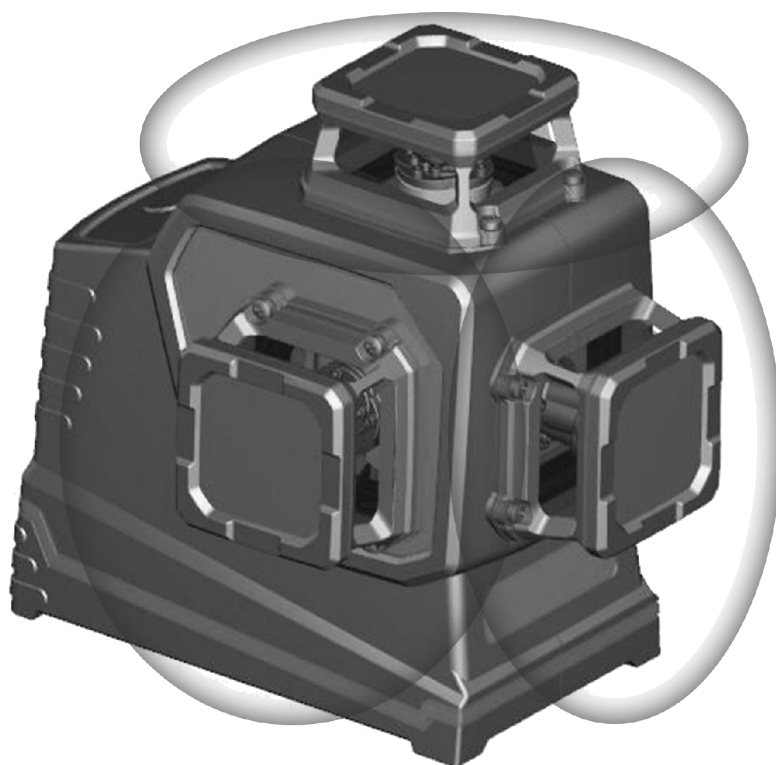
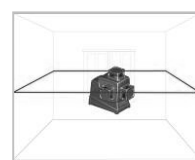
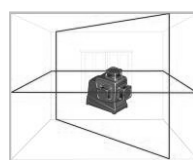
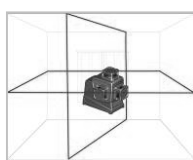
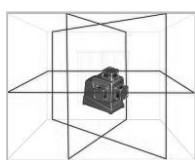




3 x 360° Plane Laser Level

LX3DR Red Beams

LX3DG Green Beams



Self-Levelling



# Congratulations!

You have chosen the Imex LX3D - 3x360° Plane Laser Level that's guaranteed reliable and tough for professional tool users.

Imex is the global brand providing professional results through accuracy and efficiency.

Please read these instructions carefully before operating the LX3D with red or green beams.

## Contents

- Safety
- Product Overview
- Operation Modes & LED Indications
- Applications
- User Guide, Maintenance and Care
- Specifications
- Warranty

## Safety

### WARNING:

- It is the operators' responsibility to read the Safety Instructions and User Manual thoroughly before using this product.

### CAUTION:

#### CLASS II RADIATION:

- Do not stare into the laser beams. Exposure to a laser beam for an extended time may be hazardous to your eyes.

### CAUTION:

- Glasses may be supplied in some of the laser tool kits. These are NOT certified safety glasses. These glasses are ONLY used to enhance visibility of beam in brighter environments or at greater distances from laser source.

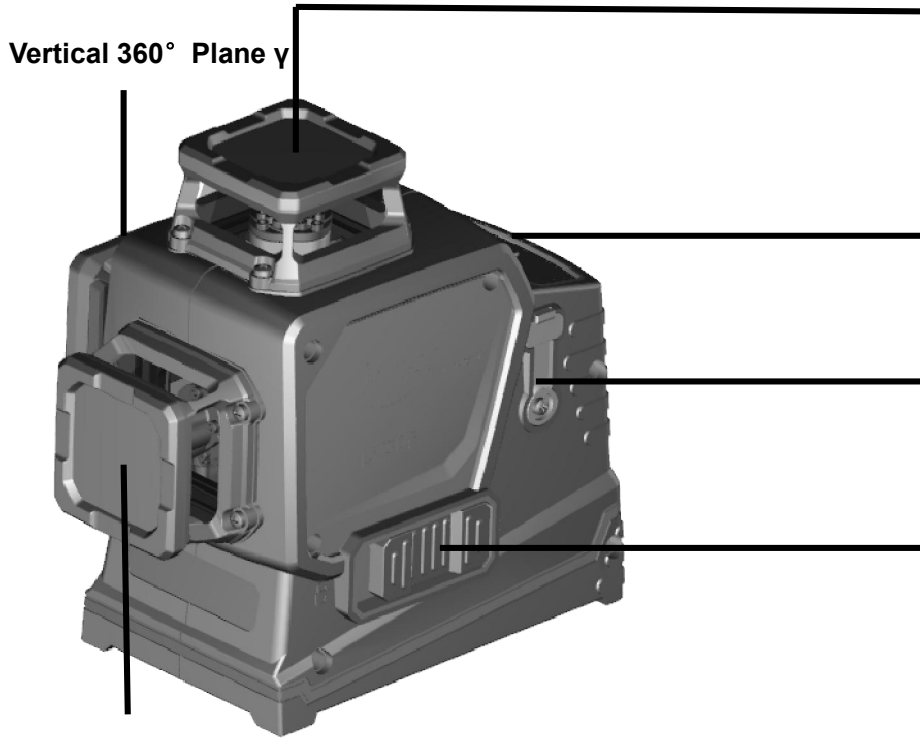
### WARNING:

- The following label/print samples are placed on the product to inform of the laser class for your convenience and safety.

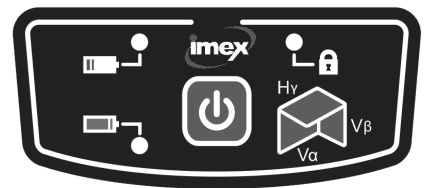


- Do not stare directly into the beam or view directly with optical instruments.
- Do not set up the laser at eye level.
- Do not disassemble the laser tool. There are no user serviceable parts inside.
- Do not modify the laser in any way. Modifying the tool may result in Hazardous Laser Radiation Exposure.
- Do not operate the laser around children or allow children to operate the laser. Serious eye injury may result.
- An exposure to the beam of a Class 2 laser is considered safe for a maximum of 0.25 seconds. Eyelid reflexes will normally provide adequate protection.

# Product Overview



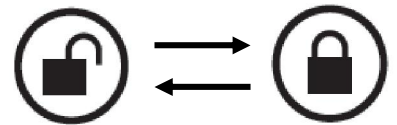
Horizontal 360° Plane  $\alpha$



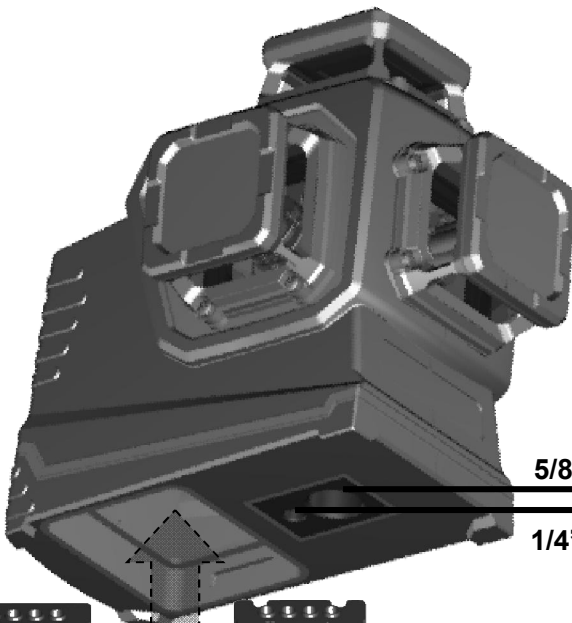
Keypad



Charging Jack

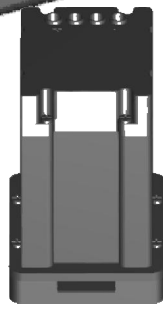


Pendulum/Transit Lock



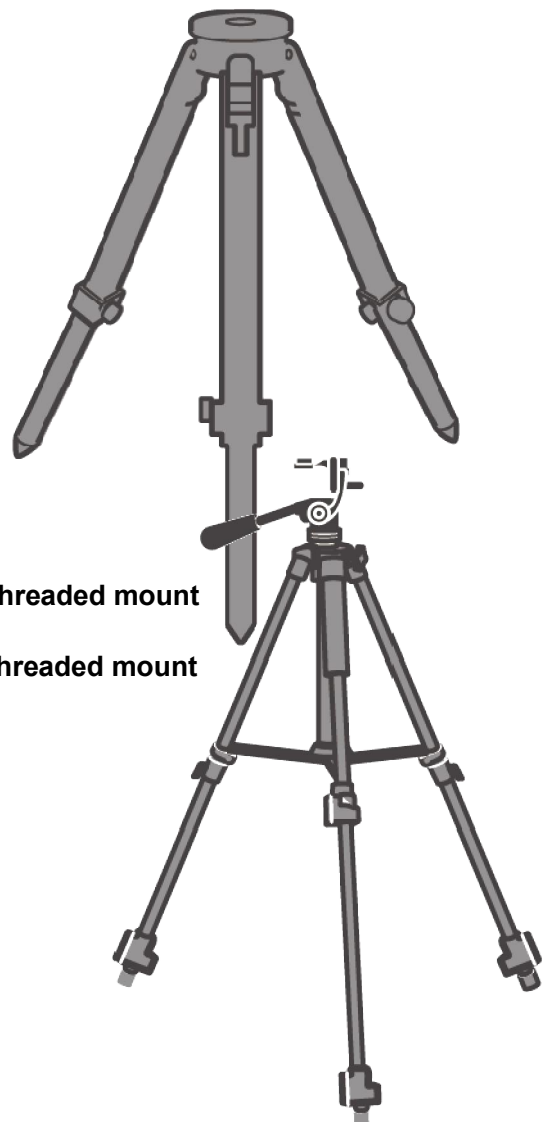
5/8"-11 threaded mount

1/4"-20 threaded mount

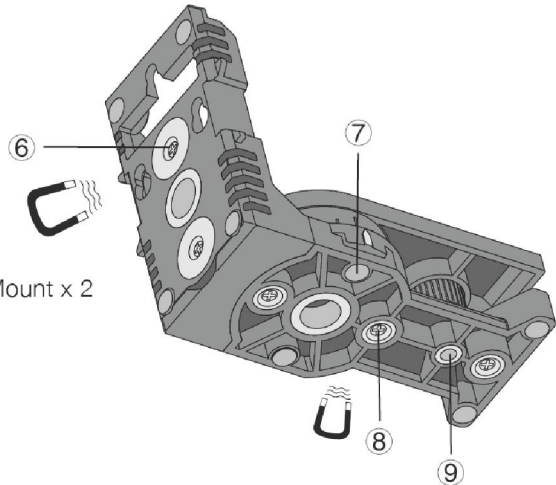
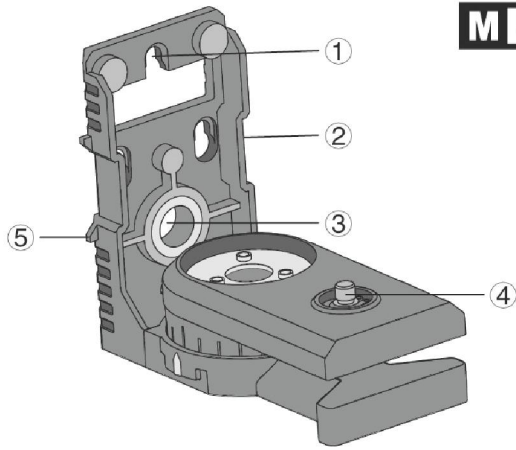


Alkaline Battery Pack

Li-ion Battery Pack

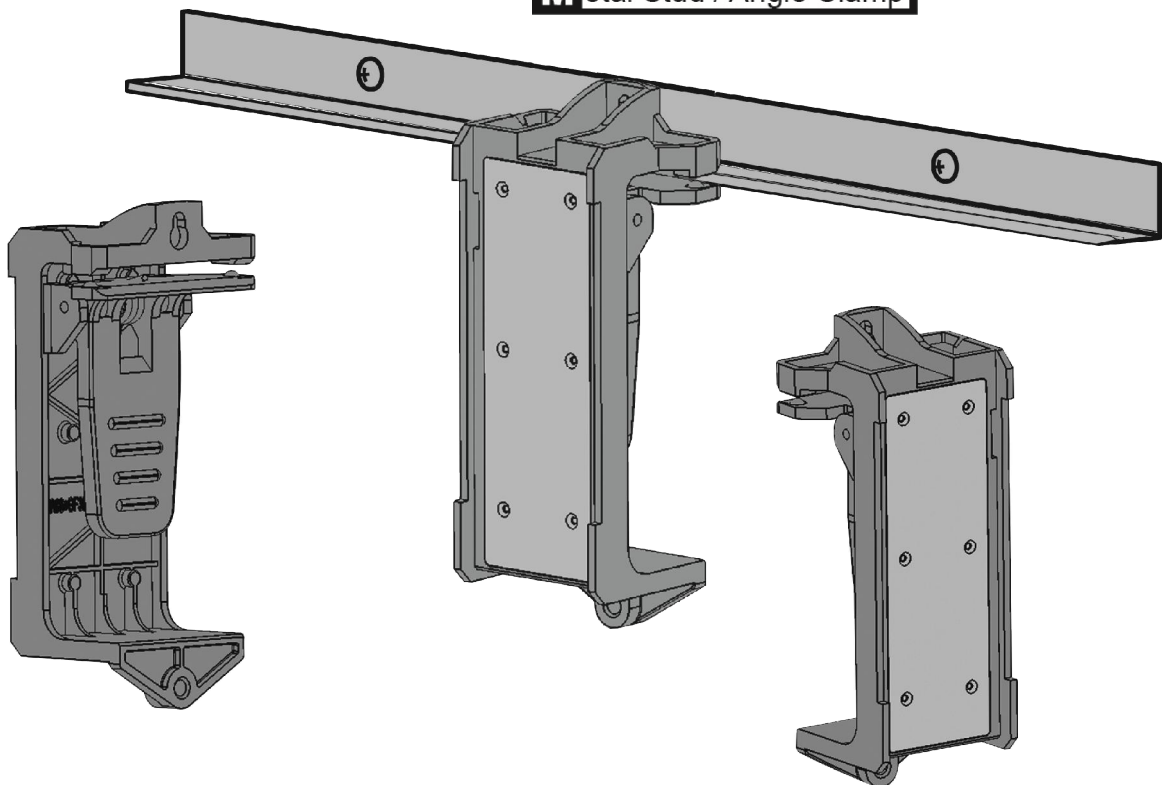


**M**agnetic Pivoting Base

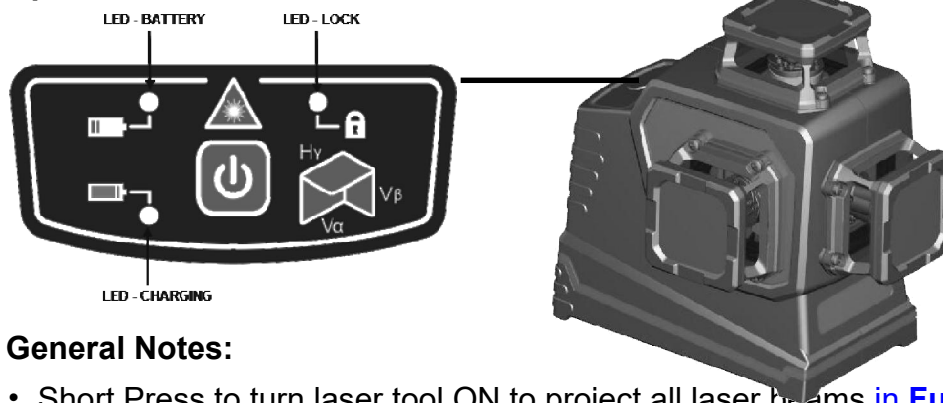


- ① Keyhole Clip
- ② Strapping Feature
- ③ CJ 5/8" -11 Threaded Mount x 2
- ④ 1/4" -20 Thread
- ⑤ Travel Stopper
- ⑥ Magnet
- ⑦ Rubber Pads
- ⑧ Magnet
- ⑨ 1/4" -20 Threaded Mount

**M**etal Stud / Angle Clamp



## Operation Modes & LED Indications



### General Notes:

- Short Press to turn laser tool ON to project all laser beams in **Full Time Pulse Mode**;
- Press repeatedly to cycle through the available modes.
- Press and hold for  $\geq 2$  seconds to turn laser tool OFF ONLY when the pendulum is locked.
- Press and hold for  $\geq 2$  seconds to activate **Outdoor Pulse Mode** when the pendulum is unlocked, and laser beams will flash 5 times to alert user that **Outdoor Pulse Mode** is activated.
- Press and hold again for  $\geq 2$  seconds to get back to **Full Time Pulse Mode**

### Self-leveling Mode

- When the pendulum is unlocked the LX3D is in self-leveling mode. If the LX3D is tilted beyond the self leveling parameters then the laser will rapidly blink to warn the user.
- The LX3D has a **Full Time Pulse Mode** as well as an **Outdoor Pulse Mode** that can be used with a Laser Detector in much brighter environments or at much greater working distances.

### Manual Mode

- When the pendulum is locked the LX3D can be tilted to any angle. When locked the laser will slowly blink to notify the user that it is not self-leveling.

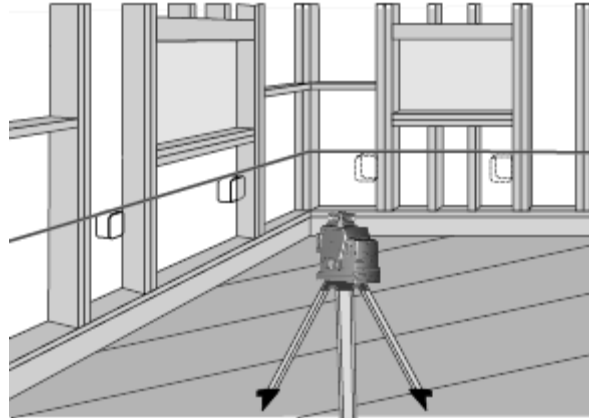
### LED Indications

- **LED-BATTERY** is solid red when LX3D is powered on, and it will blink when voltage is  $< 3.6V \pm 0.2V$ ;
- **LED-LOCK** is OFF when LX3D pendulum is unlocked, and it's solid red when LX3D pendulum is locked.
- **LED-CHARGING** is OFF when no charger is plugged in, and it blinks green during charging and turns solid green when charging is complete.

## Applications

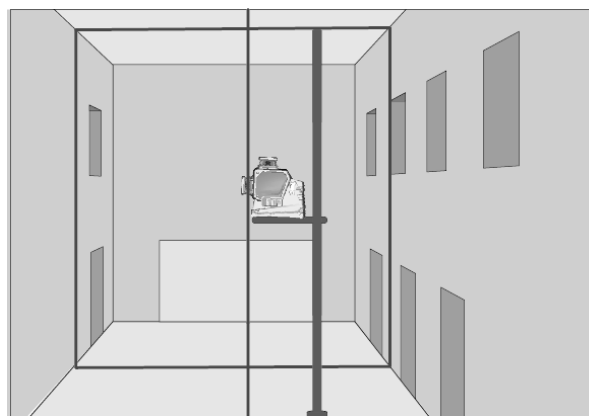
### Level / Point Transfer

- Establish a horizontal reference plane by using the horizontal laser beam.
- Position the desired object(s) until they are aligned with the horizontal reference plane to make sure that the object(s) are level.



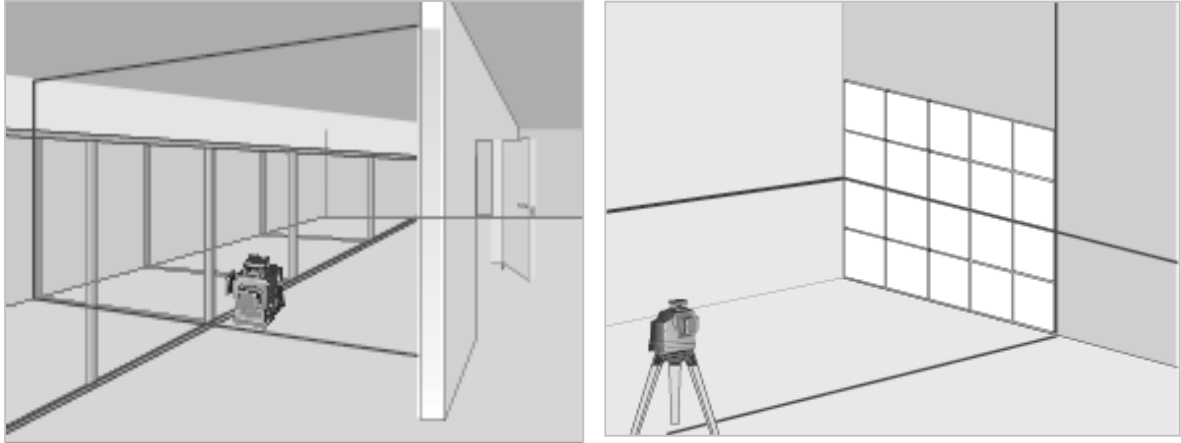
### Plumb / Point Transfer

- Establish a vertical reference plane by using the vertical beam.
- Position the desired object(s) until they are aligned with the vertical reference plane to make sure that the object(s) are plumb.
- Establish 2 reference points which need to be plumb.
- Align either the up or the down plumb beam to a set reference point.
- The opposing plumb beam(s) will be projecting a point which is plumb.
- Position the desired object until the laser beam is aligned with the second reference point which needs to be plumb with the set reference point.



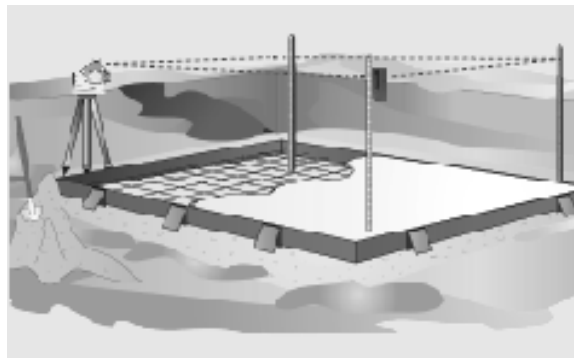
## Square

- Establish a point where the 2 beams cross by using the vertical and horizontal laser beams.
- Position the desired object(s) until they are aligned with both the vertical and horizontal laser beams to make sure that the object(s) are square.



## Full time & Outdoor Pulse Mode

- pulse modes of laser tool in self-leveling mode allows use with laser detector in brighter environments or at greater working distances.



## Manual Mode

- Disables self-leveling function and allows laser tool to project a rigid laser beam in any orientation.



## **User Guide, Maintenance and Care**

- The LX3D is sealed and calibrated at the plant to the accuracies specified.
- It's recommended to carry out an accuracy check before its first use and periodic checks during future use.
- When not in use please power OFF the tool and place the pendulum lock in its locked position.
- In Manual Mode, self leveling is OFF. The accuracy of the beam is dependant on the user.
- Do not short any battery terminals, charge alkaline batteries or dispose of batteries in the method listed on the battery.
- Do not mix old and new batteries. Replace all of them at the same time with new batteries of the same brand and type.
- Keep batteries out of reach of children.
- Remove batteries if the tool will not be used for several months.
- Do not store the laser tool in direct sunlight or expose it to high temperatures. The housing and some internal parts are made of plastics and may become deformed at high temperatures.
- Exterior plastic parts may be cleaned with a damp cloth. Although these parts are solvent resistant, NEVER use solvents. Use a soft, dry cloth to remove moisture from the tool before storage.
- Store the tool in its case when not in use. If storing for extended time, remove batteries before storage to prevent possible damage.
- Do not dispose of this product with household waste.
- Please recycle in line with local provisions for the collection and disposal of electrical and electronic waste under the WEEE Directive.

## Specifications - LX3DR

### 3 x 360° Plane Laser Level - Red Beams

|   |   |
|---|---|
| Laser Class:  | Class 2 (IEC/EN60825-1/2014)  |
| Laser Wavelength:   | 635 ± 5nm   |
| Leveling Accuracy:  | ±2mm/10m  |
| Horizontal/Vertical Accuracy:   | ±2mm/20m  |
| Leveling/Compensation Range:  | 4°±1°   |
| Working Distance (Line):  | 30m   |
| Working Distance (Line with Detector):  | 80m   |
| Power Source:   | Lithium-ion 7200mAH 3.7V<br>Alkaline 1500mAh 6V   |
| Operating Time:   | 20 hours on Lithium-ion Battery Pack (3 laser beams on)<br>28 hours on Lithium-ion Battery Pack (2 laser beams on)<br>46 hours on Lithium-ion Battery Pack (1 laser beam on)<br>7 hours on Alkaline Battery Pack (3 laser beams on)<br>9 hours on Alkaline Battery Pack (2 laser beams on)<br>15 hours on Alkaline Battery Pack (1 laser beam on) |
| Charge Time:  | 8 hours   |
| <b>Note:</b> 30 minutes quick charging can provide 2 hours operation with 3 beams |   |
| Charger Input:  | 100 ~ 240 AC 200mA  |
| Charger Output:   | 5V DC 2000mA  |
| IP Rating:  | IP54  |
| Operation Temperature Range:  | -10°C – +50°C   |
| Storage Temperature Range:  | -20°C – +70°C   |

## Specifications - LX3DG

### 3 x 360° Plane Laser Level - Green Beams

|  |   |
|--|---|
| Laser Class:                           | Class 2 (IEC/EN60825-1/2014)  |
| Laser Wavelength:                      | 510nm ~ 530nm   |
| Leveling Accuracy:                     | ±2mm/10m  |
| Horizontal/Vertical Accuracy:          | ±2mm/10m  |
| Leveling/Compensation Range:           | 4°±1°   |
| Working Distance (Line):               | 35m   |
| Working Distance (Line with Detector): | 80m   |
| Power Source:                          | Lithium-ion 7200mAh 3.7V<br>Alkaline 1500mAh 6V   |
| Operating Time:                        | 8 hours on Lithium-ion Battery Pack (3 laser beams on)<br>12 hours on Lithium-ion Battery Pack (2 laser beams on)<br>22 hours on Lithium-ion Battery Pack (1 laser beam on)<br>3 hours on Alkaline Battery Pack (3 laser beams on)<br>4 hours on Alkaline Battery Pack (2 laser beams on)<br>7 hours on Alkaline Battery Pack (1 laser beam on) |
| Charge Time:                           | 8 hours   |
| Charger Input:                         | 100 ~ 240 AC 200mA  |
| Charger Output:                        | 5V DC 2000mA  |
| IP Rating:                             | IP54  |
| Operation Temperature Range:           | -10°C – +50°C   |
| Storage Temperature Range:             | -20°C – +70°C   |

### ***Warranty – Three Year Warranty***

We are confident of the quality of our products and offer outstanding guarantee for professional users of the products. This statement is in addition to and in no way prejudices your contractual rights as a professional user or your statutory rights as a private non-professional user. We warrant our laser level(s) against faults in materials and/or workmanship for two years from date of purchase provided that:

- Proof of purchase is produced.
- Service/repairs have not been attempted by unauthorized persons;
- The product has been subject to fair wear and tear;
- The product has not been misused;

Defective products will be repaired or replaced, free of charge or at our discretion, if sent together with proof of purchase to our authorized distributor(s).

This Warranty does not cover faults caused by accidental damage, unfair wear and tear, and use other than in accordance with the manufacturers' instructions or repair or alteration of this product not authorized by us.

Repair or replacement under this Warranty does not affect the expiry date of the Warranty.

To the extent permitted by law, we shall not be liable under this Warranty for indirect or consequential loss resulting from faults in this product. This Warranty may not be varied without our authorization. Calibration and care are not covered by warranty.

#### **NOTE:**

- The customer is responsible for the correct use and care of the tool.

Moreover, the customer is completely responsible for periodically checking the accuracy of the laser, and therefore for the calibration of the tool.



[www.imexlasers.com](http://www.imexlasers.com)